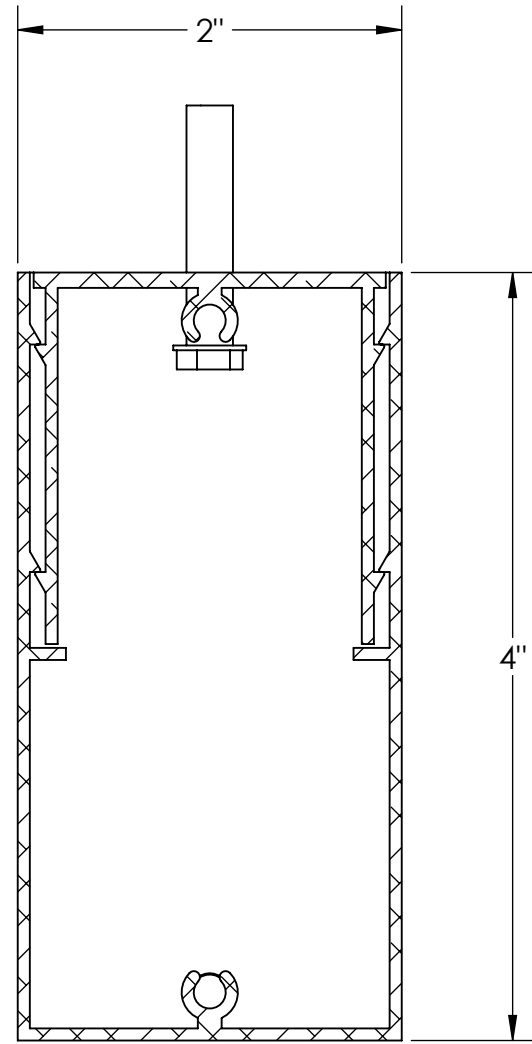
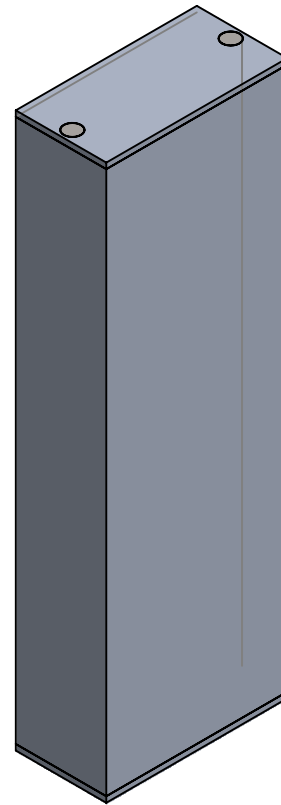


TYPICAL 2X4 BATTEN SYSTEM



2" BATTEN BASE SECURELY CLIPPED TO 2"X4" BATTEN



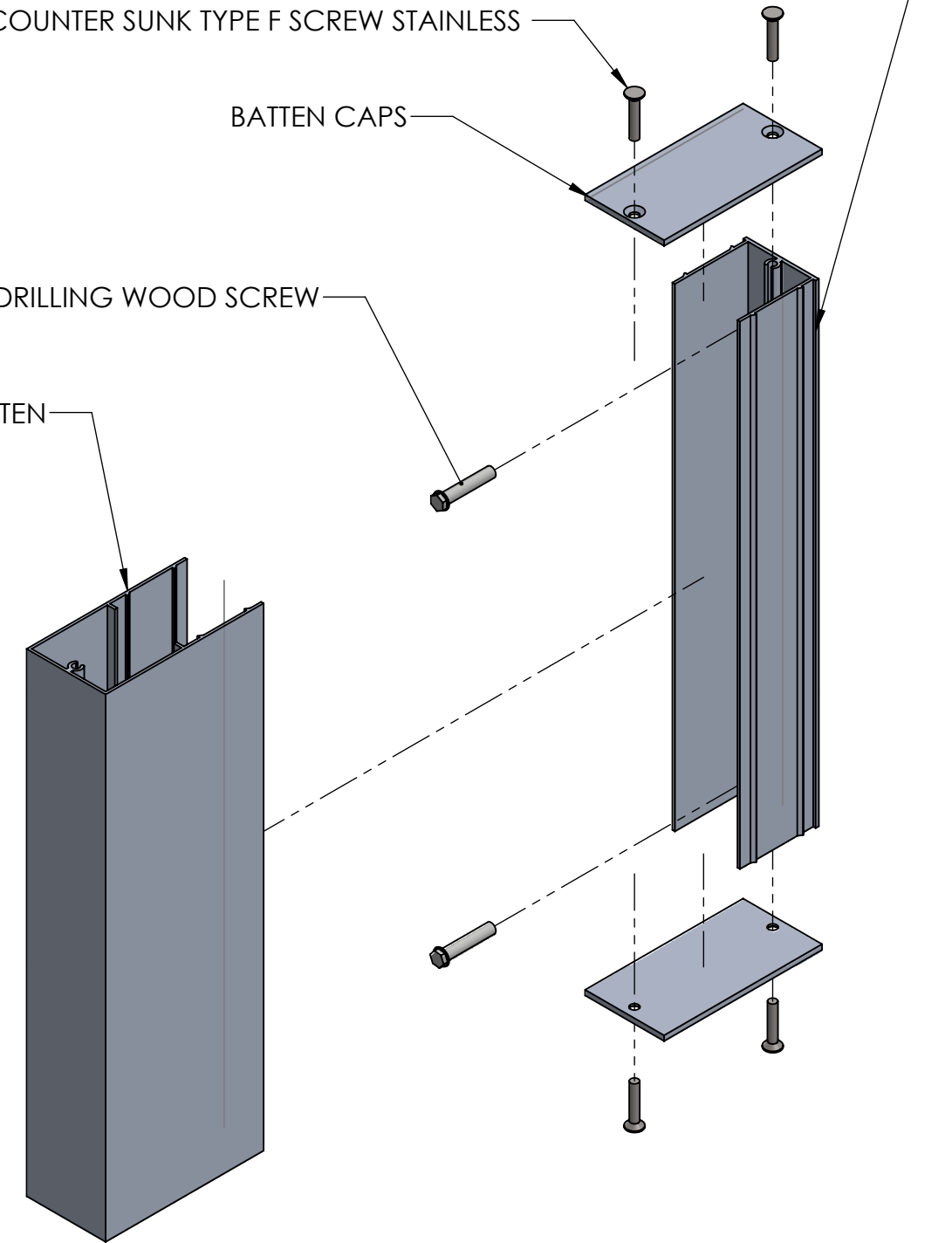
#10 X 1" FLAT HEAD PHILLIPS COUNTER SUNK TYPE F SCREW STAINLESS

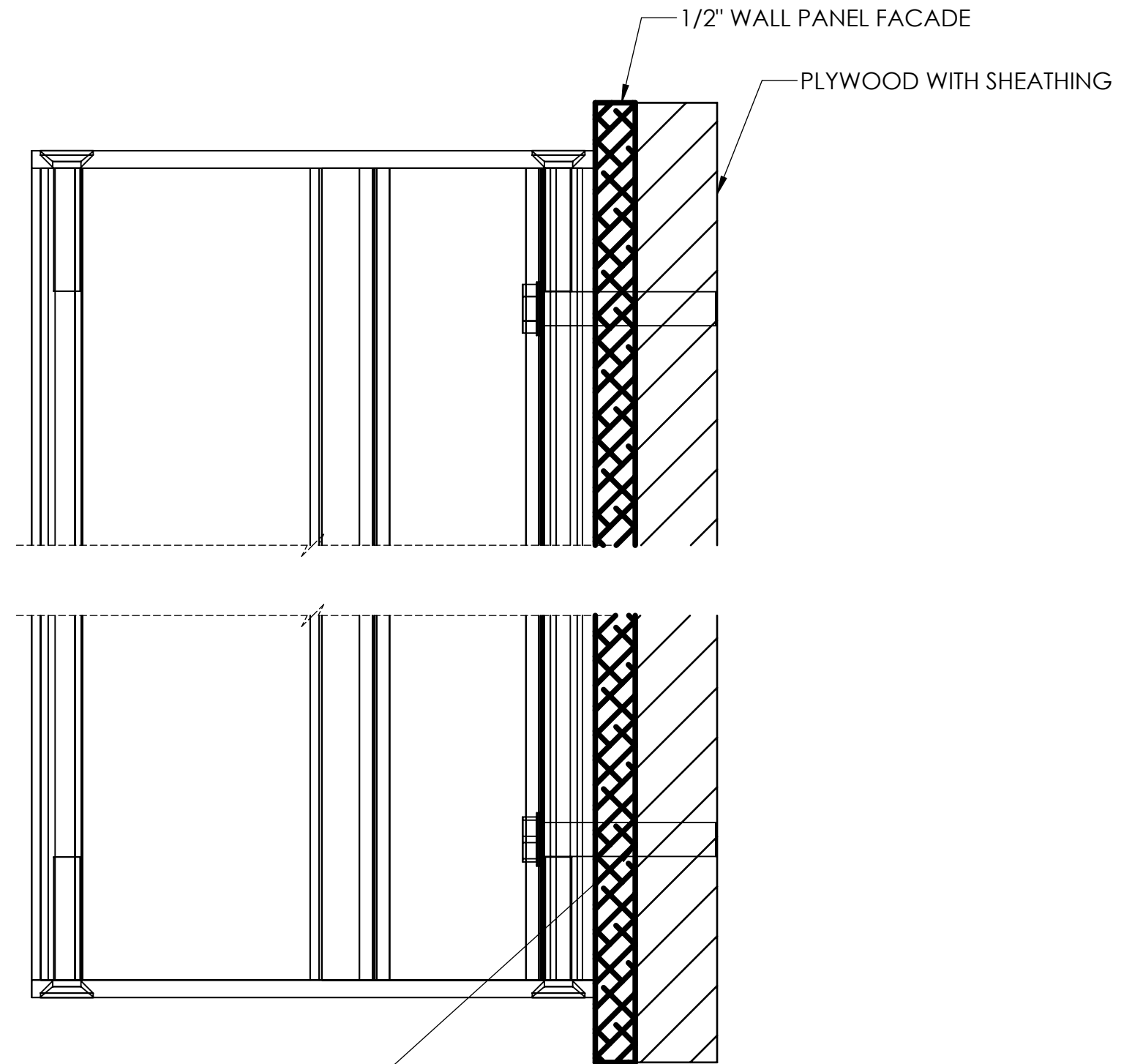
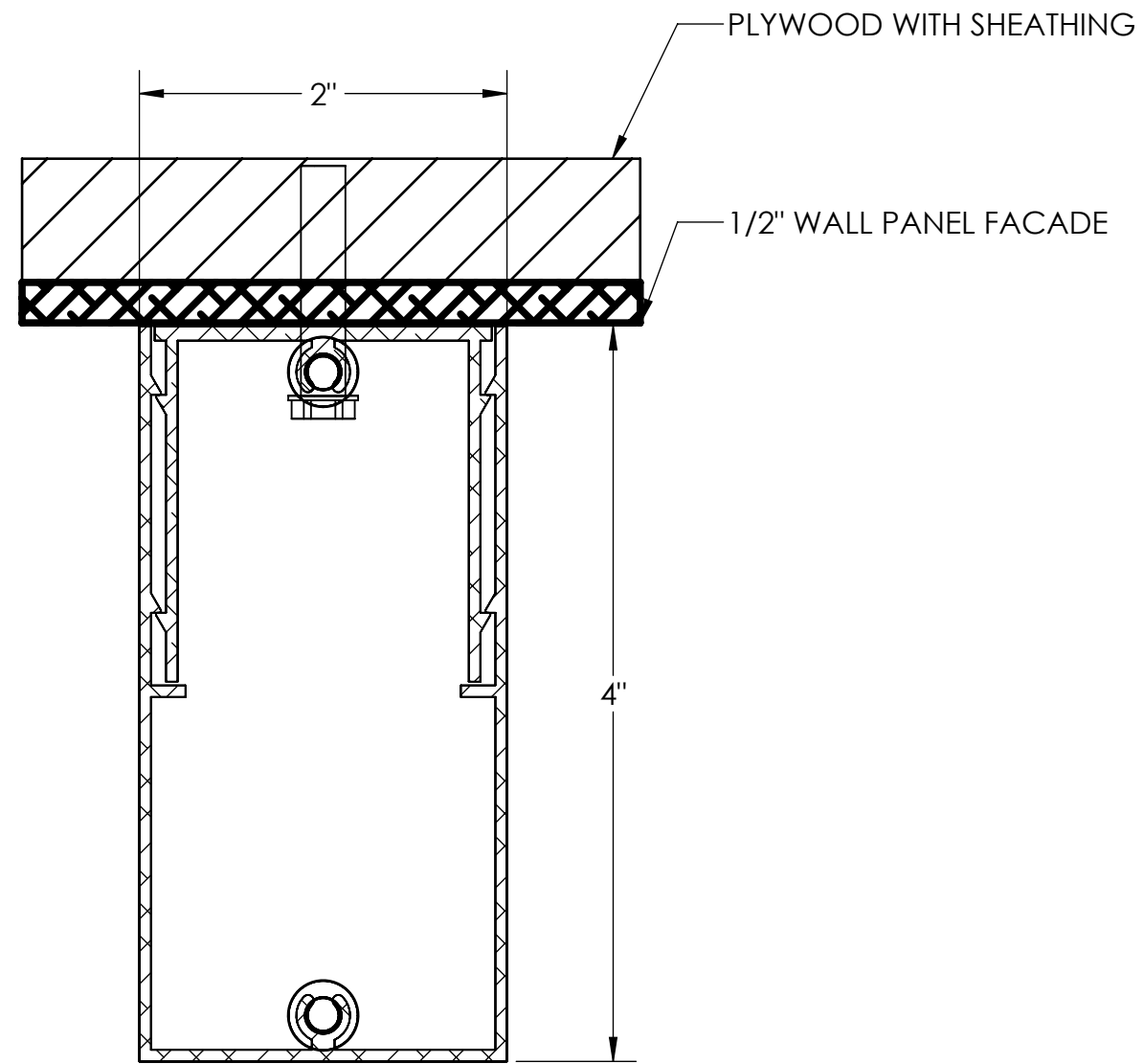
BATTEN CAPS

2" X 2" BATTEN BASE

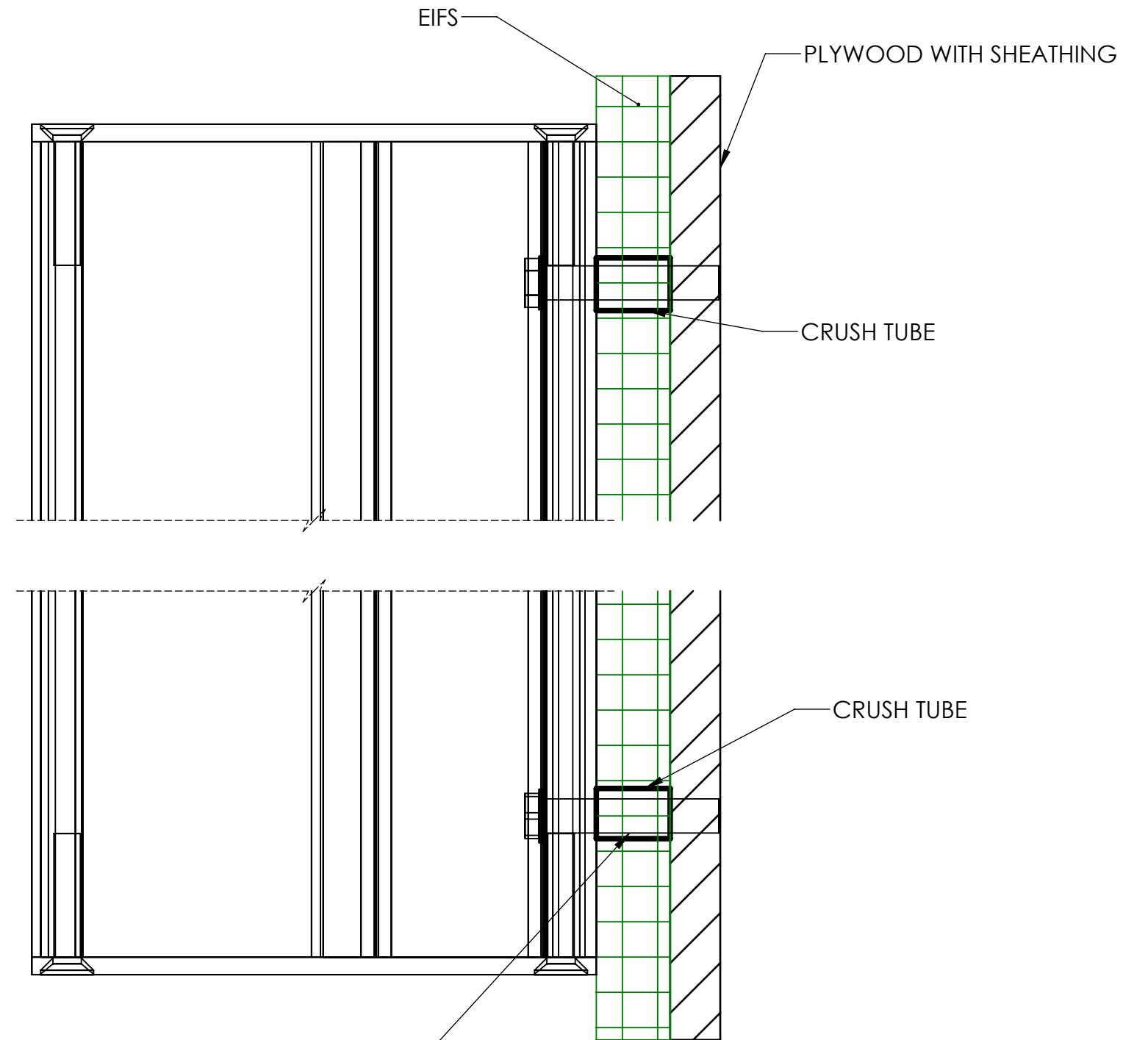
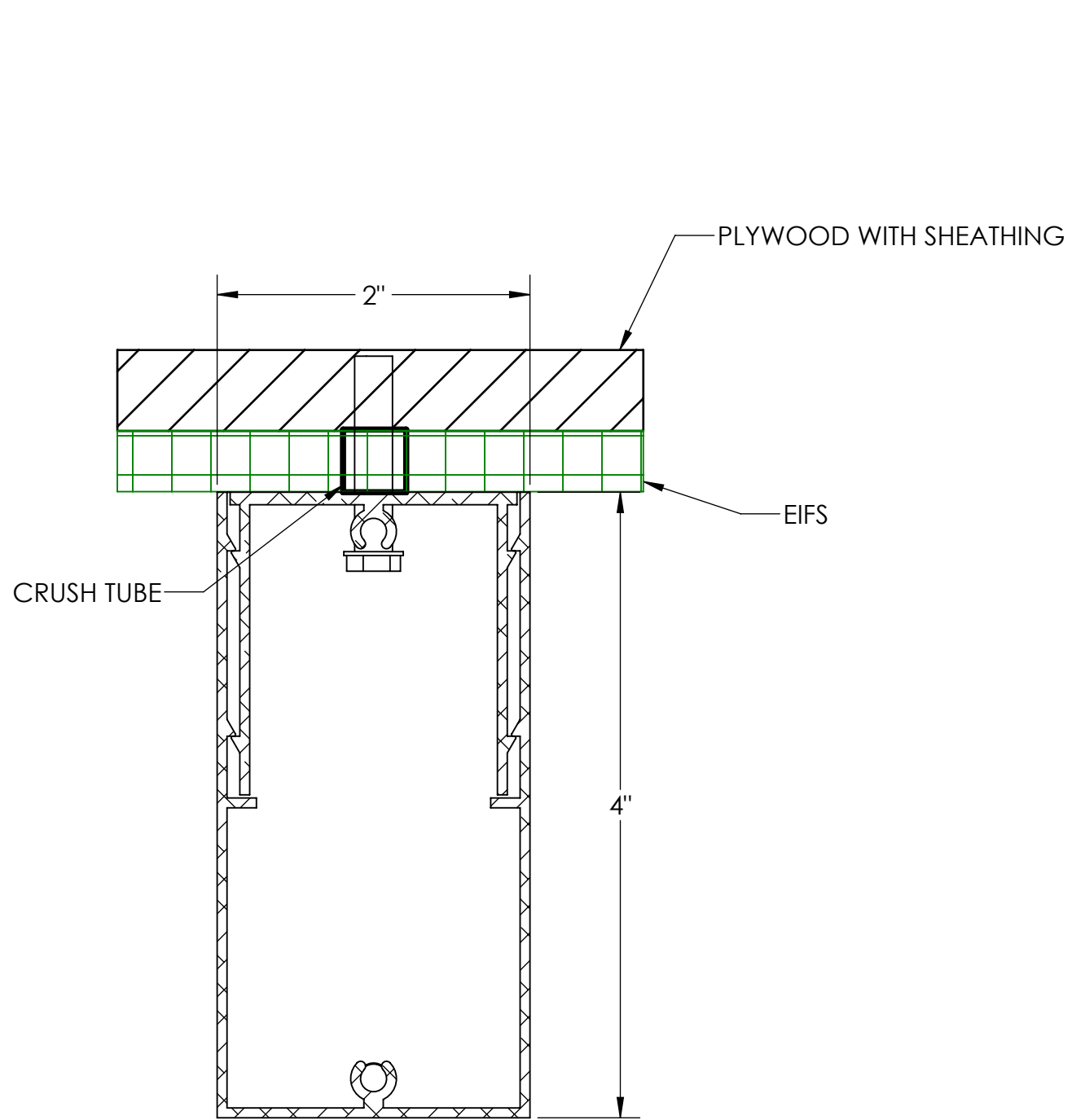
#10 X 1 1/2" SELF DRILLING WOOD SCREW

2" X 4" BATTEN

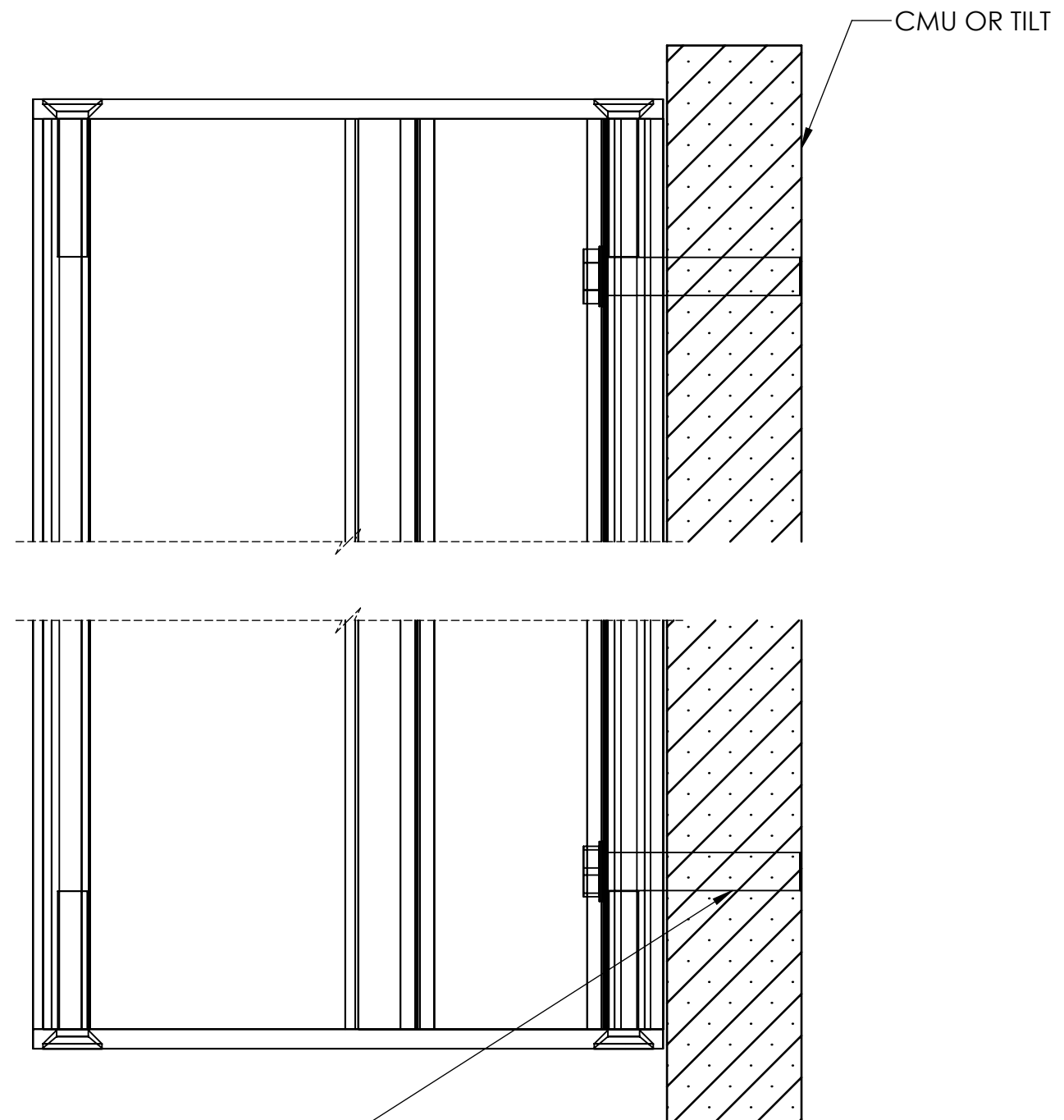
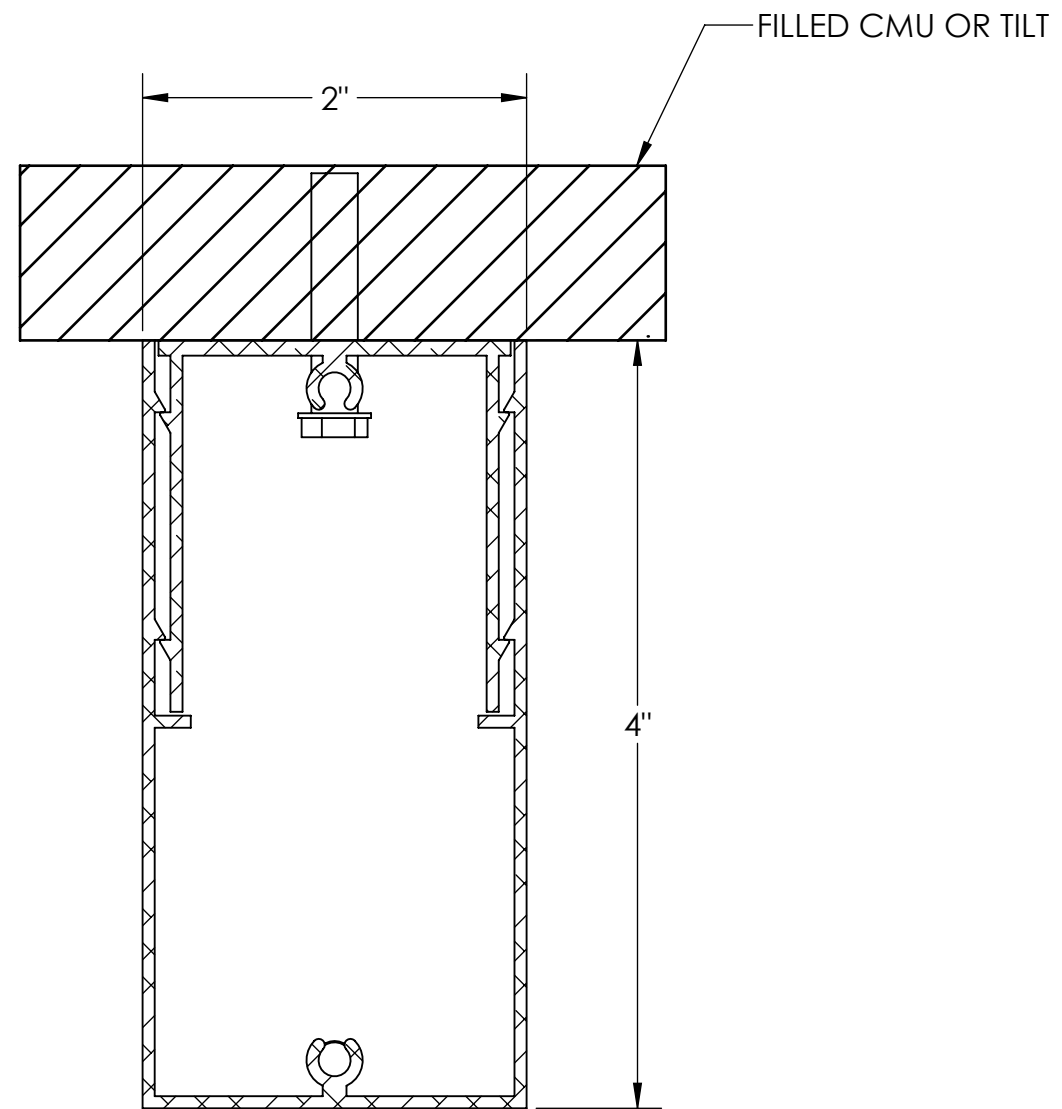




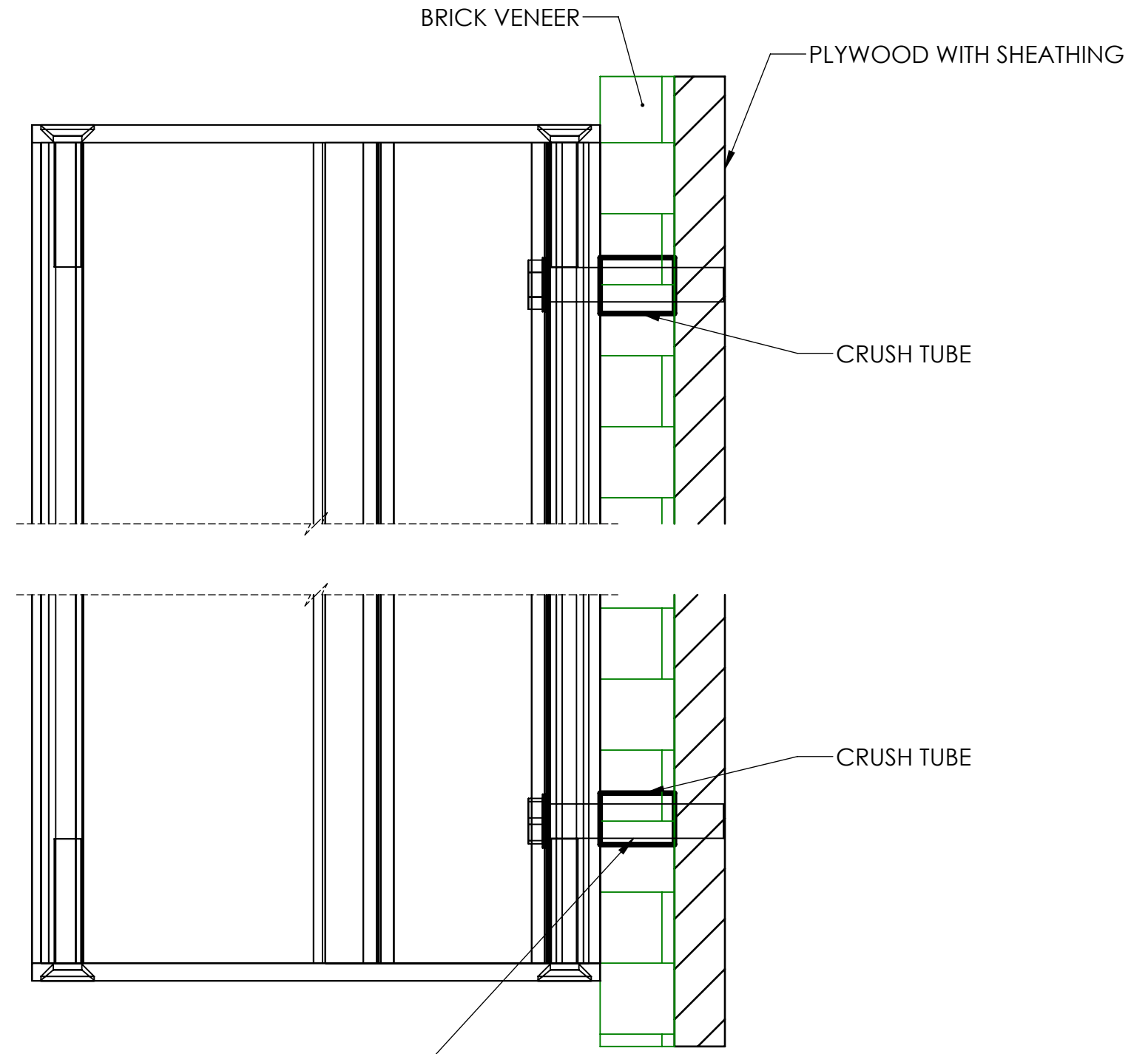
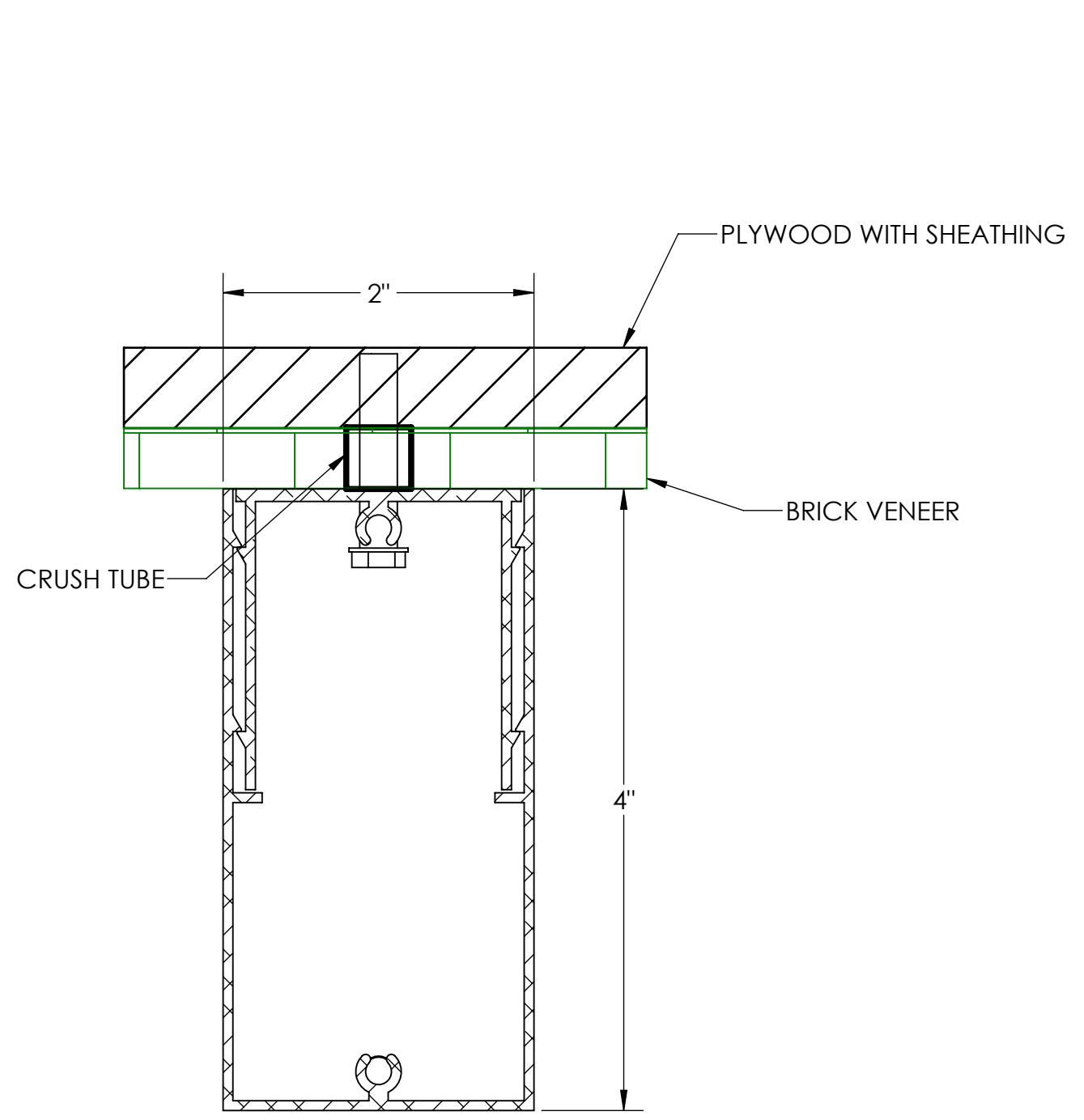
#10 X 1 1/2" SELF DRILLING WOOD SCREWS W/ WASHERS
 AT TOP & BOTTOM OF BATTENS & APPROX EVERY 30"



#10 X 1 1/2" SELF DRILLING WOOD SCREWS W/ WASHERS
 AT TOP & BOTTOM OF BATTENS & APPROX EVERY 30"



1/4" X 1 1/4" TITEN HD SCREW W/ WASHERS
AT TOP & BOTTOM OF PANELS & APPROX EVERY 30"



#10 X 1 1/2" SELF DRILLING WOOD SCREWS W/ WASHERS
AT TOP & BOTTOM OF BATTENS & APPROX EVERY 30"